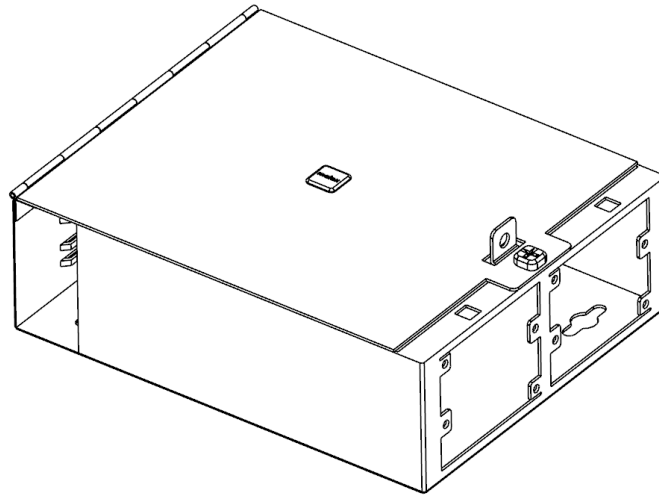


WALL MOUNT LI-24 FIBER BOX



1.0 SCOPE:

This document provides Installation Instructions of Wall mount LI-24 fiber box

2.0 PRODUCT DESCRIPTION:

Wall mount LI-24 fiber box

3.0 PROCEDURES:

ASSEMBLY INSTRUCTIONS

STEP 1

CONFIGURE THE LI-24 FIBER BOX

- A. Mount the LI-24 fiber box to a wall or other surface. Molex CES recommends mounting on a plywood backboard
- B. Apply the port identification label to either the inside or outside of the door, depending on your requirements.
- C. Assemble and install the quarter –turn fastener as shown in Fig.1
 - Push the square part of the assembly (receptacle) into the square hole in the door, as shown.
 - Snap the screw head (stud) into the receptacle.
 - Turn the screw head one quarter turn counterclockwise, using a coin or other appropriate tool.

ENGINEERING RECORD NO : 722326	SAP NO : 187000385	Doc No: AS-18700-070	Doc part: AS	REV- B
http://www.molexces.com				

The screw head will pop up, and the assembly will now mate with the square hole in the LI-24 fiber box body. Pushing and turning the screw head will secure the fastener.

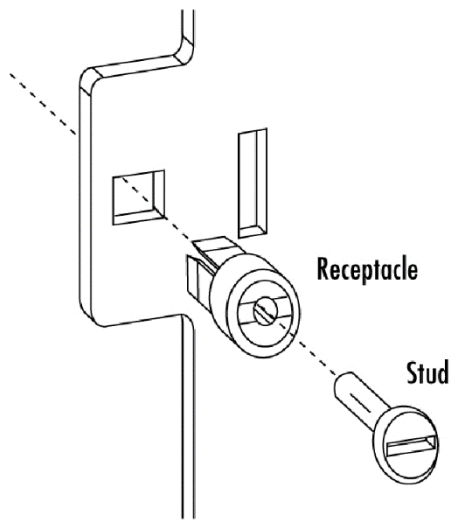


Fig.1
(Shown for reference only)

STEP 2

Prepare and install the 6-Pak Adapter plates (purchased separately) Fig.2

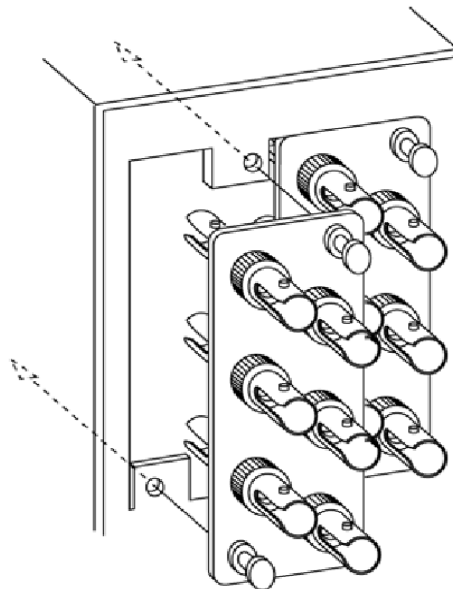


Fig.2
(Shown for reference only)

STEP 3

Secure jacketed cable to the cable tie down bridges. See below Fig.3. Route cables into the LI-24 fiber box using the appropriate cut outs and cable management hubs.

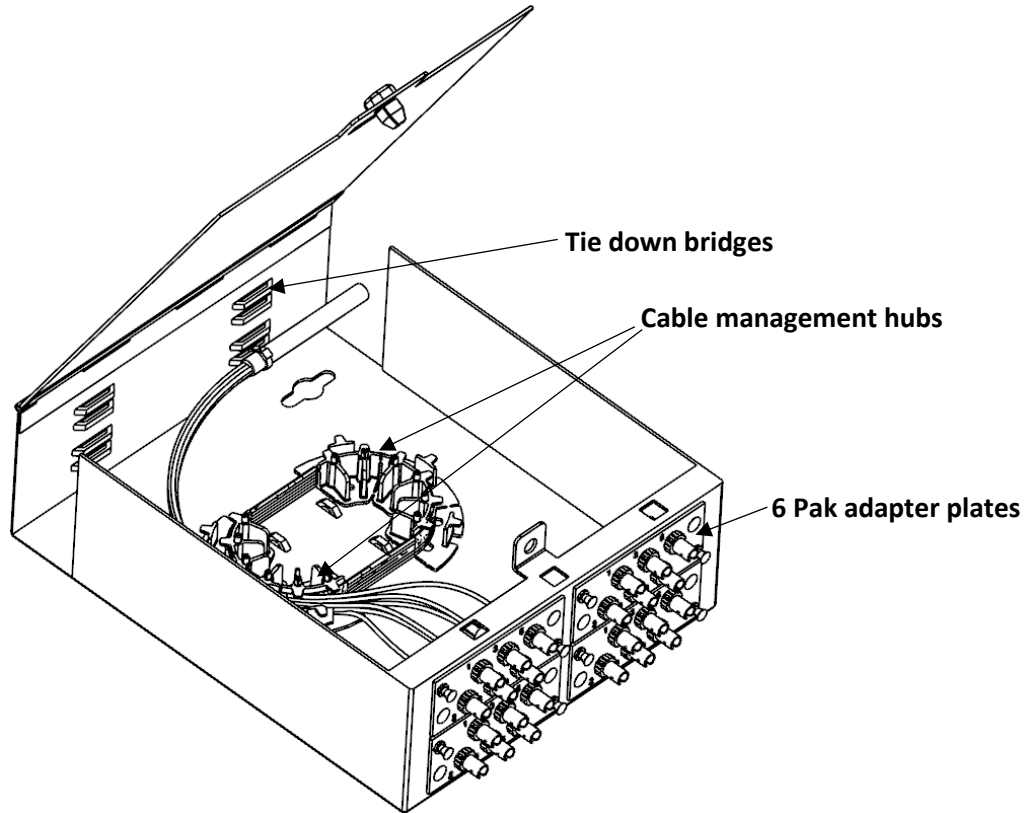


Fig.3
(Shown for reference only)

NOTE:

For optimum security, a padlock can be used with this unit. Fig.4

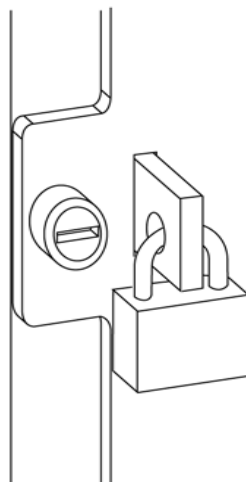


Fig.4
(Shown for reference only)